

CHADDOCK



Chaddock Studio Z

CUSTOM UPHOLSTERED BED PROGRAM

Chaddock Studio Z

BEAUTIFULLY DESIGNED.
IMPECCABLY CRAFTED.

Chaddock Studio Z makes designing custom headboards and beds simple. Start with four stylish designs—Miles, Drake, Noah or Lily—then customize size, scale and fabric for a bed or headboard that's all your own.

Miles

Stylish upholstered headboard punctuated with open side panels, slightly recessed to add dimension. Miles is thoroughly modern, but puts it to bed in traditional settings.



MILES

Drake

There's nothing hard edge about Drake. Panel headboard beautifully curved and finished with an inset panel to show off its graceful lines. Drake's got a feminine mystique that transcends gender.



DRAKE

Noah

Chaddock reinvents the traditional shelter bed with Noah. With slightly clipped wings, Noah may be tufted—Chesterfield style—or specified with a plain back.



NOAH

Lily

Lovely Lily channels Art Deco styling with a series of five tiered panels. A beautiful architectural form at home in traditional or modern interiors.

Start with a Chaddock Studio Z design and make it your own.



Let's Get to Work

CHADDOCK STUDIO Z BEDS AND HEADBOARDS IN FIVE SIMPLE STEPS:

Step 1: Choose your design

- Lily
- Miles
- Noah
- Drake

Step 2: Choose your style and foot finish

- Bed (headboard & rails)
- Headboard Only
- Choose from 50+ wood finishes on exposed-wood legs

Step 3: Choose your size

- Twin
- Full
- Queen
- King
- CA King

Step 4: Choose your headboard height

- Tall (H54)
- Extra Tall (H60)

Step 5: Choose your cover

- Choose from hundreds of Chaddock fabrics/leathers/vinyls
- COM (customer's own material)

TAKE IT TO THE NEXT LEVEL

Do you have additional design ideas? Envisioning nailhead trim, welts, combination fabrics? Additional changes in dimension? Let's talk. Unique custom orders are a Chaddock specialty. We're here to bring your ideas to life.



MILES

Bed 1802-11
Headboard only 1802-12



NOAH

Bed 1801-11
Headboard only 1801-12
Available with or without tufting



DRAKE

Bed 1803-11
Headboard only 1803-12



LILY

Bed 1804-11
Headboard only 1804-12

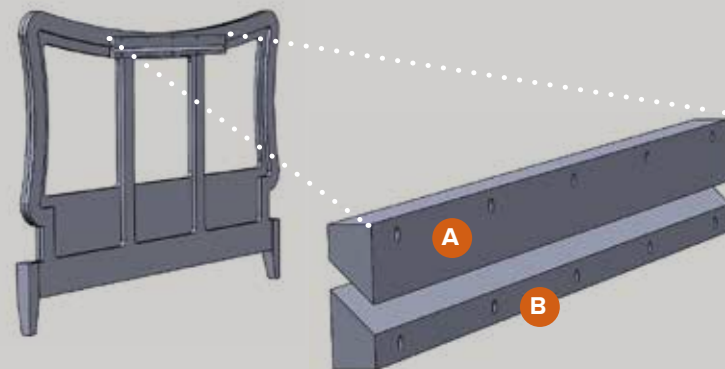
Chaddock Studio Z Headboard Mount

A specially engineered innovative wall mount, standard with every Chaddock Studio Z headboard, makes your new headboard easy to securely install.

A attaches to the headboard.

B attaches to the wall.

A slides into **B** to secure headboard in place.





A custom bed or headboard is only one part of crafting the story of your bedroom. Let Chaddock help you complete your space with custom nightstands, dressers, mirrors, cabinets, and even sofas and chairs.

SHOWN ABOVE: MARAIS DRESSER

Post Office Box 10 | Morganton, NC 28680 | United States of America | 1 855 535 6992

[CHADDOCKHOME.COM](https://www.chaddockhome.com)